

## VRF Indoor

### TVRF-IEHESP D48KHP

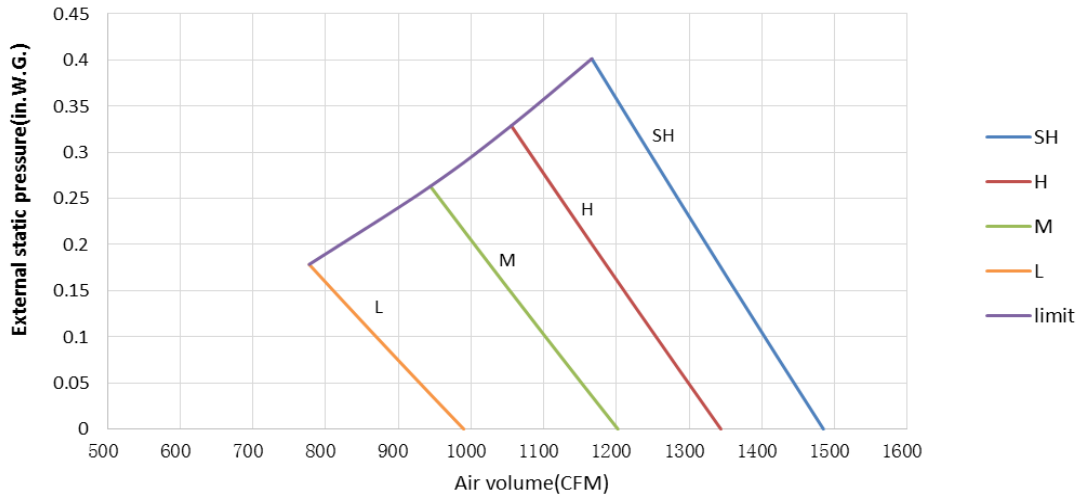
#### Indoor VRF SYSTEM FEATURES

- High Static Pressure Design
- Easy Maintenance
- Convenient Installation
- Protection Functions

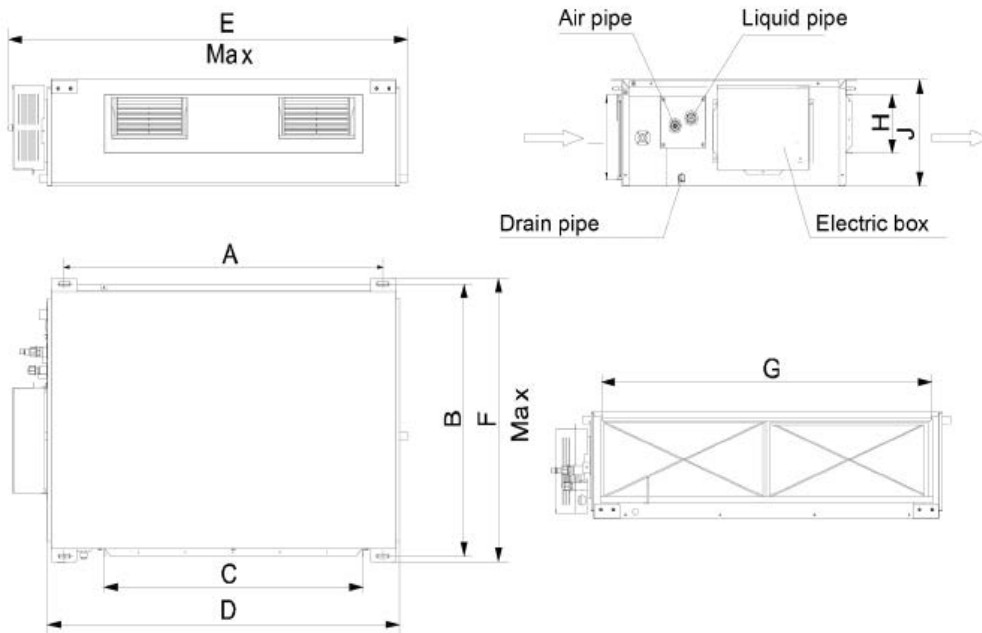


Specifications		Model Name
Unit Type		TVRF-IEHESP D48KHP
Cooling Capacity	Btu/h	48,000
Heating Capacity	Btu/h	54,000
External Dimensions (WxHxD)	In.	48-3/8 x 11-3/8 x 30-1/2
	mm	1229 x 290 x 775
Net Weight	Lbs. / Kg	104/47
Electrical Power Requirements	Voltage, Phase, Hertz	208/230V, 1-phase, 60HZ
Power Cooling Consumption	kW	0.22
Power Heating Consumption	kW	0.22
Current Cooling	A	1.6
Current Heating	A	1.6
Minimum Circuit Ampacity (MCA)	A	3.15
Max. Overcurrent Protection (MOCP) Fuse	A	6
Refrigerant Piping Dimensions (In./mm)	Liquid (High Pressure)	3/8 - 9.52
	Gas (Low Pressure)	5/8 - 15.9
Sound Pressure Level	dB(A)	48/46/44
<b>Fan</b>		
Type x Quantity		Centrifugal x 2
Airflow Rate	CFM	1180/1000/824
<b>Motor</b>		
Motor Type x Quantity		Direct Drive x 1
Motor Output	kW	0.25
Refrigerant		R410A
Coil Type		internal groove tube

Job Name:		Date:	
System Reference No.:			
Engineer Signature:			



### Outline Dimension Diagram



	A	B	C	D	E
mm	1011	748	820	1115	1229
inch	43 3/8	29 1/2	32 1/4	43 7/8	48 3/8
	F	G	H	I	J
mm	775	979	160	231	290
inch	30 1/2	38 1/2	6 1/4	9 1/8	11 3/8

