

VRF Indoor

TVRF-IEHESP D18KHP

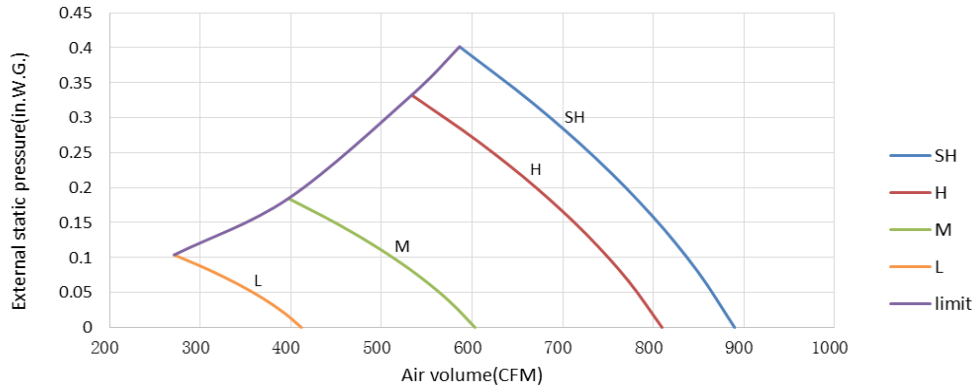
Indoor VRF SYSTEM FEATURES

- High Static Pressure Design
- Easy Maintenance
- Convenient Installation
- Protection Functions

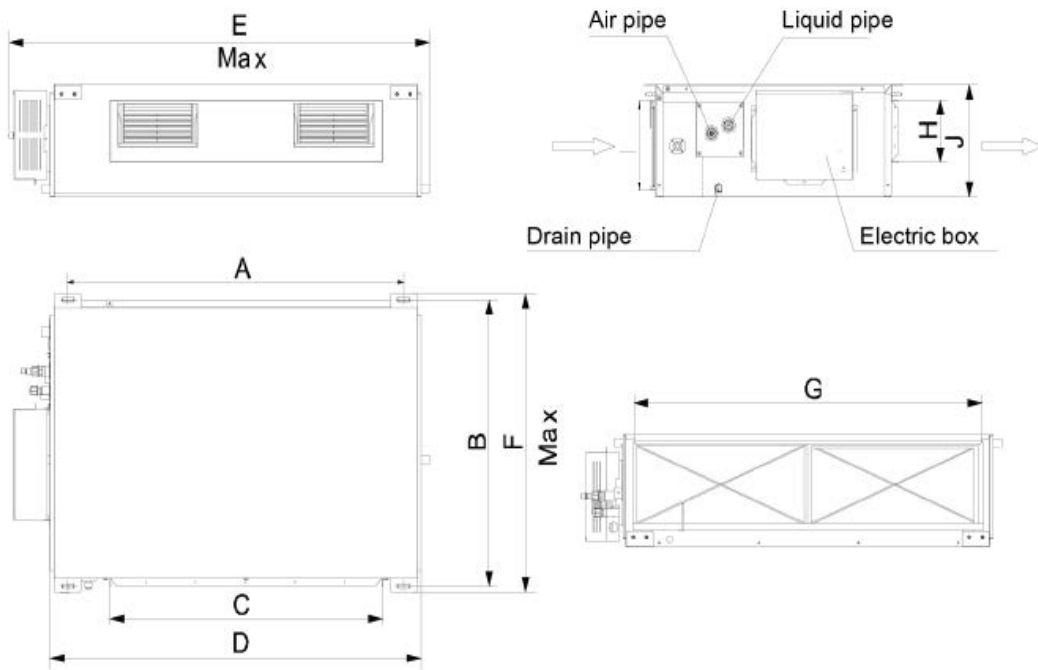


Specifications		Model Name
Unit Type		TVRF-IEHESP D18KHP
Cooling Capacity	Btu/h	18,000
Heating Capacity	Btu/h	20,000
External Dimensions (WxHxD)	In.	50 x 10-1/2 x 22
	mm	1271 x 268 x 558
Net Weight	Lbs. / Kg	77/35
Electrical Power Requirements	Voltage, Phase, Hertz	208/230V, 1-phase, 60HZ
Power Cooling Consumption	kW	0.12
Power Heating Consumption	kW	0.12
Current Cooling	A	0.9
Current Heating	A	0.9
Minimum Circuit Ampacity (MCA)	A	3.15
Max. Overcurrent Protection (MOCP) Fuse	A	6
Refrigerant Piping Dimensions (In./mm)	Liquid (High Pressure)	3/8 - 9.52
	Gas (Low Pressure)	5/8 - 15.9
Sound Pressure Level	dB(A)	44/40/36
<u>Fan</u>		
Type x Quantity		Centrifugal x 2
Airflow Rate	CFM	590/470/355
<u>Motor</u>		
Motor Type x Quantity		Direct Drive x 1
Motor Output	kW	0.15
Refrigerant		R410A
Coil Type		internal groove tube

Job Name:		Date:	
System Reference No.:			
Engineer Signature:			



Outline Dimension Diagram



	A	B	C	D	E
mm	1101	517	820	1159	1271
inch	43 3/8	20 3/8	32 1/4	45 5/8	50
	F	G	H	I	J
mm	558	1002	160	235	268
inch	22	39 1/2	6 1/4	9 1/4	10 1/2

