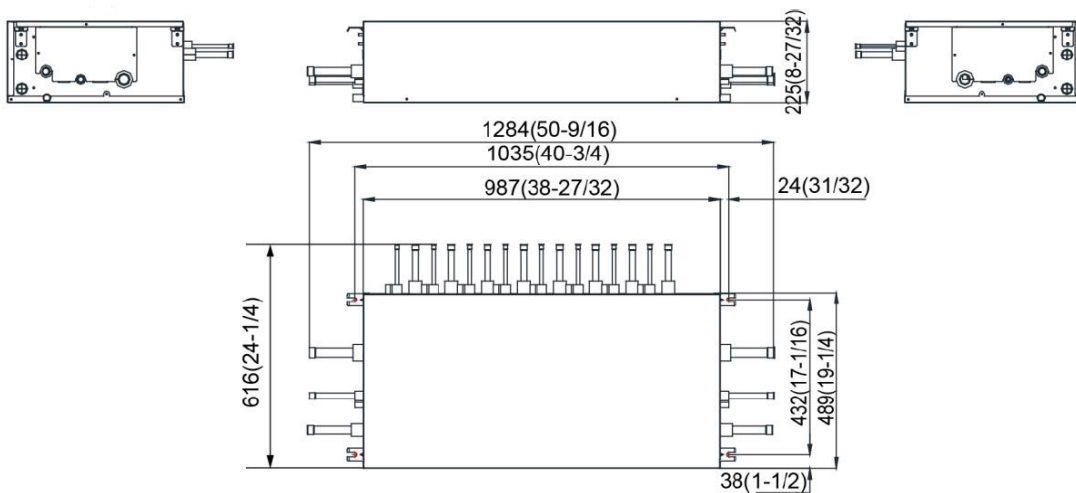


Cold And Heat Mode Exchanger

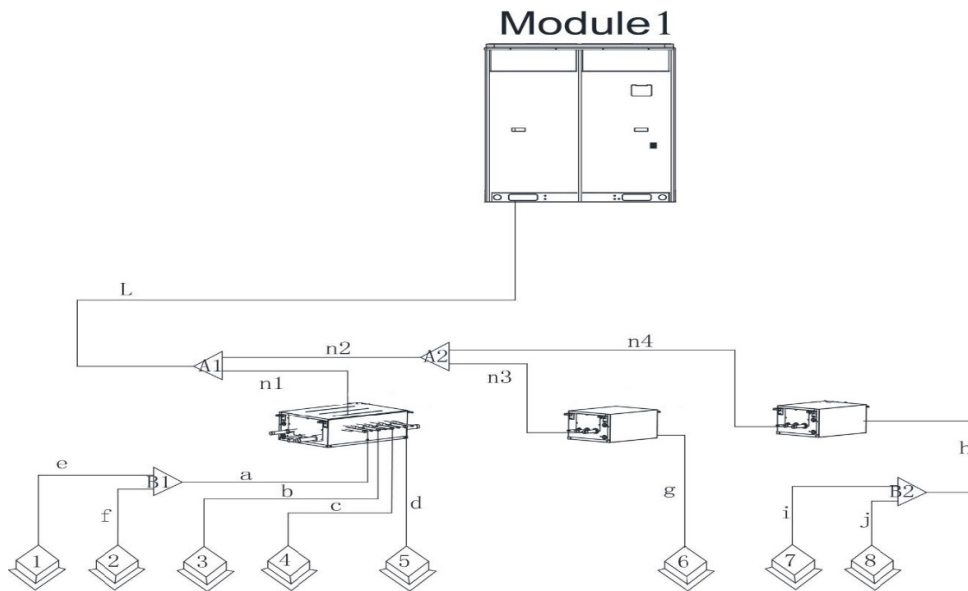
TVRF-SHCBU1T8

Model		Unit	TVRF-SHCBU1T8
Max. IDU Branches		/	8
No. of connectable IDU of each branch		/	8
Total Connectable IDU		/	64
Max. Capacity of each branch		kW	14
		KBtu/h	48.0
Max. Capacity of connectable IDU		kW	68
		Btu/h	232
Power supply		V/Ph/Hz	208/230V 1Ph 60Hz
Power consumption		W	80
Outdoor Unit Piping Connection	Liquid	mm	15.9
		In.	5/8
	Gas(Low pressure)	mm	28.6
		In.	1 1/8
	Gas(High pressure)	mm	22.2
		In.	7/8
Indoor Unit Piping Connection	Liquid	mm	9.52
		In.	3/8
	Gas	mm	15.9
		In.	5/8



Job Name:		Date:	
System Reference No.:			
Engineer Signature:			

Connection sketch map of single-module system



Connection sketch map of multi-module system,

