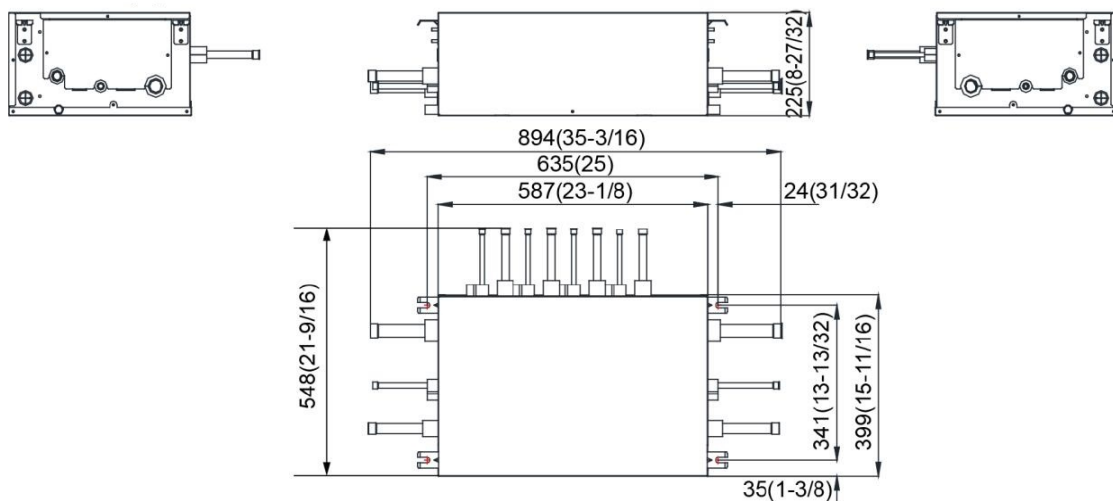


## Cold And Heat Mode Exchanger

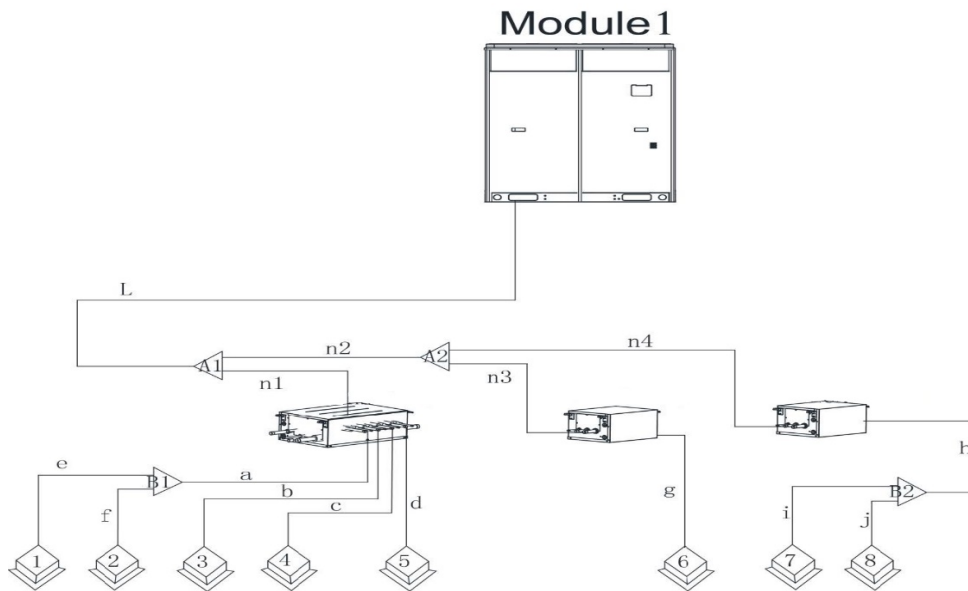
### TVRF-SHCBU1T4

Model		Unit	TVRF-SHCBU1T4
Max. IDU Branches		/	4
No. of connectable IDU of each branch		/	8
Total Connectable IDU		/	32
Max. Capacity of each branch		kW	14
		KBtu/h	48.0
Max. Capacity of connectable IDU		kW	45
		Btu/h	153
Power supply		V/Ph/Hz	208/230V 1Ph 60Hz
Power consumption		W	32
Outdoor Unit Piping Connection	Liquid	mm	12.7
		In.	1/2
	Gas(Low pressure)	mm	28.6
		In.	1 1/8
	Gas(High pressure)	mm	19.05
		In.	3/4
Indoor Unit Piping Connection	Liquid	mm	9.52
		In.	3/8
	Gas	mm	15.9
		In.	5/8



Job Name:		Date:	
System Reference No.:			
Engineer Signature:			

## Connection sketch map of single-module system



## Connection sketch map of multi-module system,

