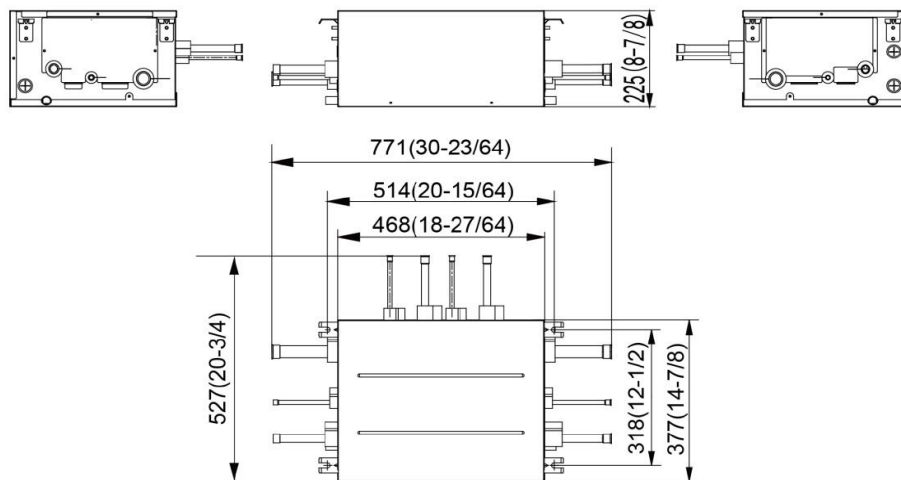


Cold And Heat Mode Exchanger

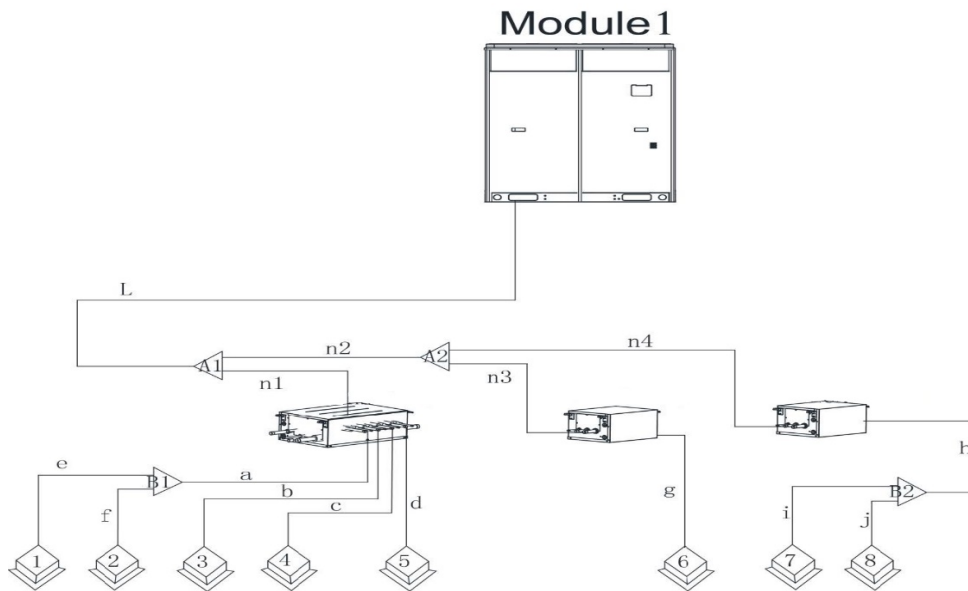
TVRF-SHCBU1T2

Model	Unit	TVRF-SHCBU1T2	
Max. IDU Branches	/	2	
No. of connectable IDU of each branch	/	8	
Total Connectable IDU	/	16	
Max. Capacity of each branch	kW	14	
	KBtu/h	48.0	
Max. Capacity of connectable IDU	kW	28	
	Btu/h	96.0	
Power supply	V/Ph/Hz	208/230V 1Ph 60Hz	
Power consumption	W	20	
Outdoor Unit Piping Connection	Liquid	mm	9.52
		In.	3/8
	Gas(Low pressure)	mm	22.2
		In.	7/8
	Gas(High pressure)	mm	19.05
		In.	3/4
Indoor Unit Piping Connection	Liquid	mm	9.52
		In.	3/8
	Gas	mm	15.9
		In.	5/8



Job Name:		Date:	
System Reference No.:			
Engineer Signature:			

Connection sketch map of single-module system



Connection sketch map of multi-module system,

